

Air Excellent AE34C Bend 90° Kit

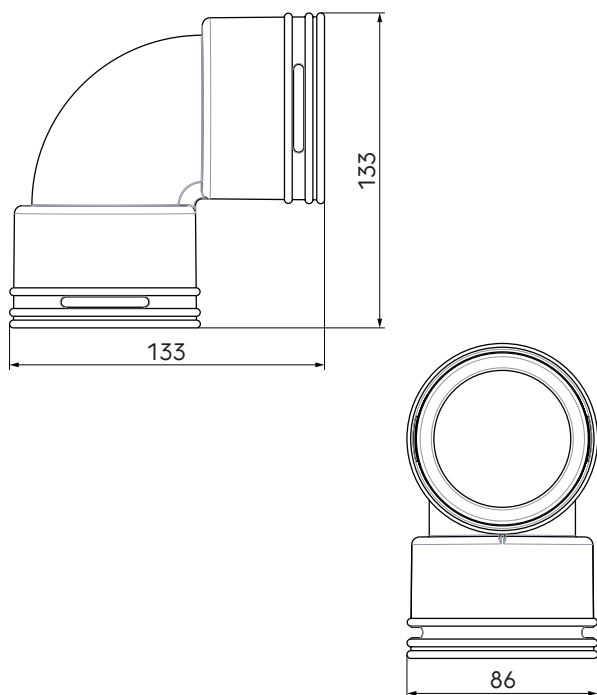
Article number: 188599

Product introduction

An AE34C duct accessory. Includes 2 AE34C seal rings and 2 AE34C click rings to connect the ducts to it.

- Modular manifolds, which can be used with all 6 duct types
- Semi-rigid plastic ducts on a roll and airtight mechanical connections, which are extremely easy to install
- Low system pressure loss due to radial design
- Airtight (class D/ATC 2 up +/- 2000 Pa) thanks to mechanical connections, which minimises fan energy use and sound production
- TÜV SÜD and ISEGA tested and certified, REACH compliant

Product dimensions



Technical specifications

Specifications	
Technical	
Colour	Green
Material	PP
Anti static	<input checked="" type="checkbox"/>

Air Excellent AE34C Bend 90° Kit

Article number: 188599

Technical specifications (continuation)

Technical	
Antimicrobial	<input checked="" type="checkbox"/>
Diameter outer	75 mm
Performance	
Temperature resistance (min.)	-20 °C
Temperature resistance (max.)	60 °C
Reaction to fire: Euro class	E
Zeta supply	1
Zeta extract	1
Dimensions	
Length gross	144 mm
Width	86 mm
Height	144 mm
Net weight	0.12 kg

Air Excellent AE34C Bend 90° Kit

Article number: 188599

Technical details



AE34C 90° bend

Zeta [-]	1	
Duct runs	1	
Qv [m³/h]	v [m/s]	Δp [Pa]
0	0,0	0,0
5	0,4	0,1
10	0,9	0,5
15	1,3	1,1
20	1,8	1,9
25	2,2	2,9
30	2,7	4,2
35	3,1	5,7
40	3,6	7,5
45	4,0	9,5
50	4,5	11,7
55	4,9	14,2
60	5,3	16,9